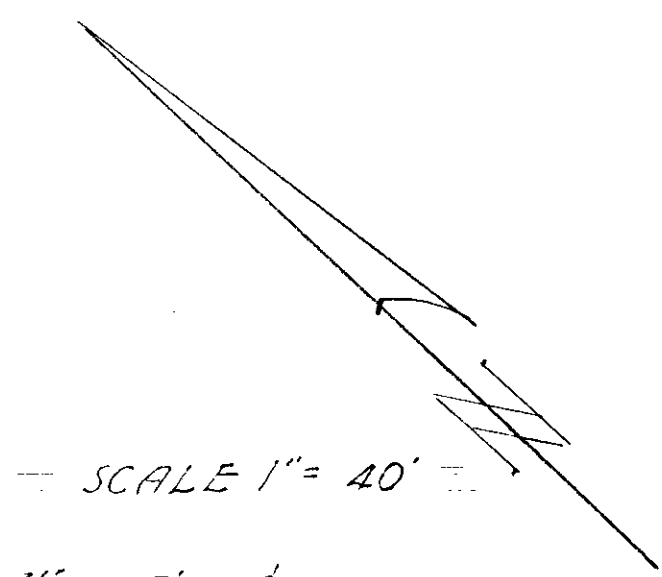
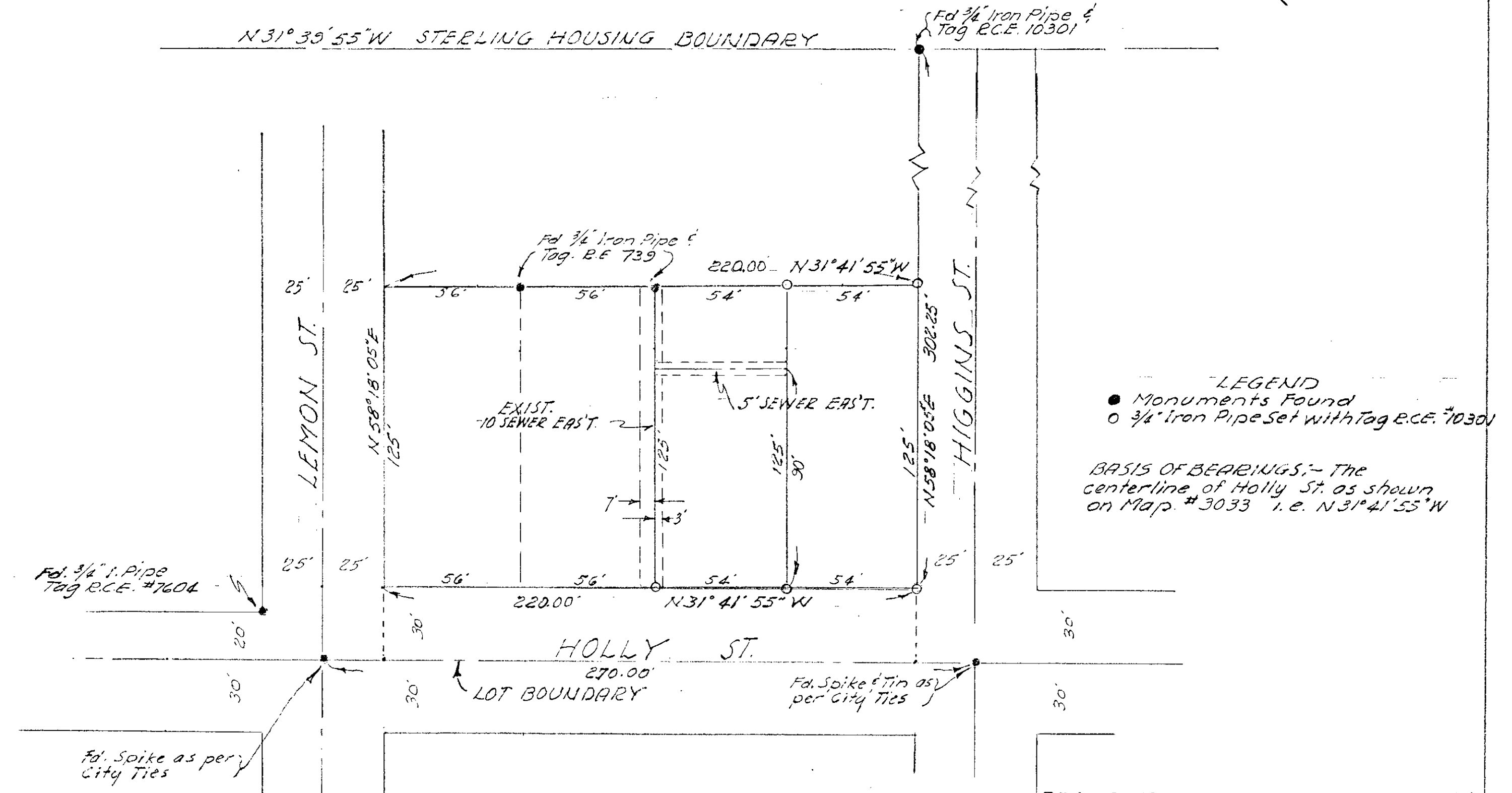


SPLIT LOT MAP #331



N31°39'55"W STERLING HOUSING BOUNDARY



LEGEND
 ● Monuments Found
 ○ 3/4" Iron Pipe Set with Tag R.C.E. #10301

BASIS OF BEARINGS: - The centerline of Holly St. as shown on Map #3033 i.e. N31°41'55"W

APPROVED BY THE
PLANNING COMMISSION
 this 4th day of MAR. 1963
 Resolution No. 63-P-16
 Secretary [Signature]

REQUESTED BY COLEMAN CONST. INC.

CITY OF OCEANSIDE
 SURVEY OF A PORTION OF LOT 39
 BUTLER, GROVE, GLEICHNER'S SUB.
 MAP NO. 341

APPROVED
 By Alton Ruelan
 ALTON L. RUELAN
 R.C.E. 10123
 DATE 4-2-62

DRAWN BY L.E.M.
 JO. COAST ENGINEERING
 SERVICE - SAN CLEMENTE
William A. Ayer
 W. A. AYER - R.C.E. #10301
 DATE MARCH 29, 1963.

DATE 3-30-63
 SCALE 1" = 40'