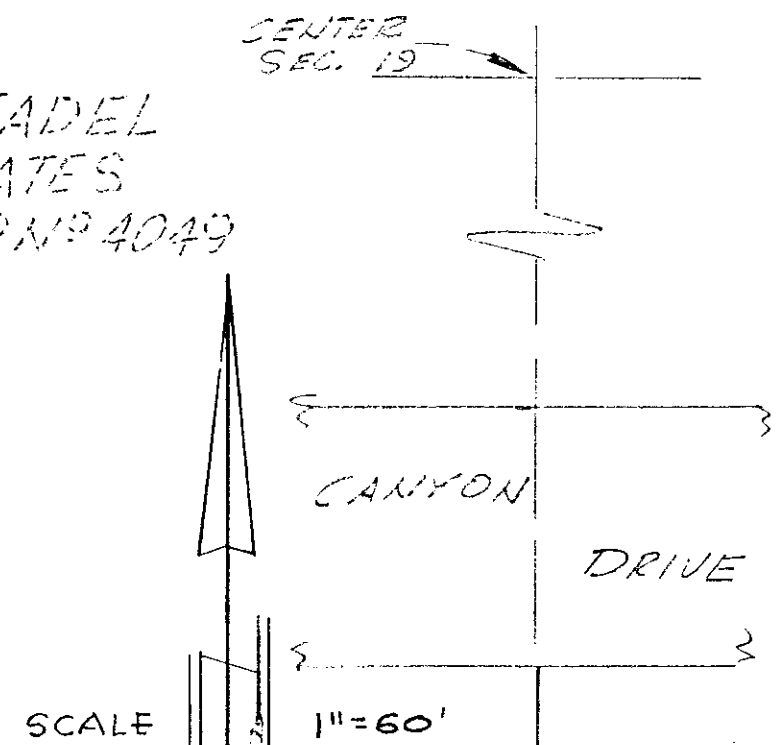
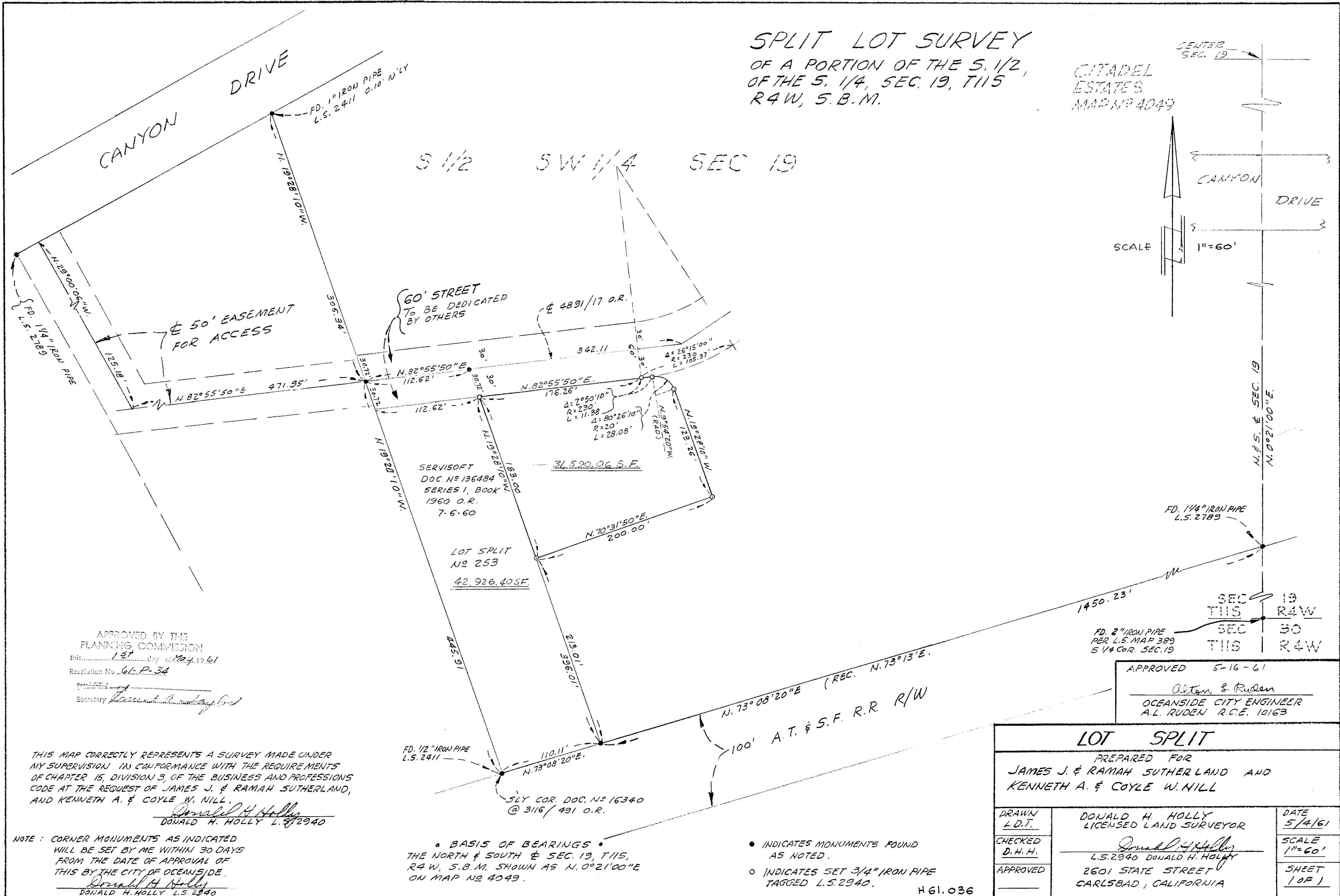


SPLIT LOT SURVEY  
OF A PORTION OF THE S. 1/2,  
OF THE S. 1/4, SEC. 19, T11S  
R4W, S.B.M.



APPROVED BY THE  
PLANNING COMMISSION  
this 1st day of May, 1961  
Resolution No. 61-P-34  
Secretary *[Signature]*

APPROVED 5-16-61  
*[Signature]*  
OCEANSIDE CITY ENGINEER  
A.L. RUDEN R.C.E. 10163

LOT SPLIT		
PREPARED FOR JAMES J. & RAMAH SUTHERLAND AND KENNETH A. & COYLE W. HILL		
DRAWN L.D.T.	DONALD H. HOLLY LICENSED LAND SURVEYOR	DATE 5/4/61
CHECKED D.H.H.	<i>[Signature]</i> L.S. 2940 DONALD H. HOLLY	SCALE 1" = 60'
APPROVED	2601 STATE STREET CARLSBAD, CALIFORNIA	SHEET 1 OF 1

THIS MAP CORRECTLY REPRESENTS A SURVEY MADE UNDER MY SUPERVISION IN CONFORMANCE WITH THE REQUIREMENTS OF CHAPTER 15, DIVISION 3, OF THE BUSINESS AND PROFESSIONS CODE AT THE REQUEST OF JAMES J. & RAMAH SUTHERLAND, AND KENNETH A. & COYLE W. HILL.  
*[Signature]*  
DONALD H. HOLLY L.S. 2940

NOTE: CORNER MONUMENTS AS INDICATED WILL BE SET BY ME WITHIN 30 DAYS FROM THE DATE OF APPROVAL OF THIS BY THE CITY OF OCEANSIDE.  
*[Signature]*  
DONALD H. HOLLY L.S. 2940

• BASIS OF BEARINGS •  
THE NORTH & SOUTH & SEC. 19, T11S, R4W, S.B.M. SHOWN AS N. 0°21'00" E ON MAP NO 4049.

• INDICATES MONUMENTS FOUND AS NOTED.  
• INDICATES SET 3/4" IRON PIPE TAGGED L.S. 2940.  
H61.036

*Sutherland & Hill L.S. 293*