

LOT SPLIT MAP NO. 269

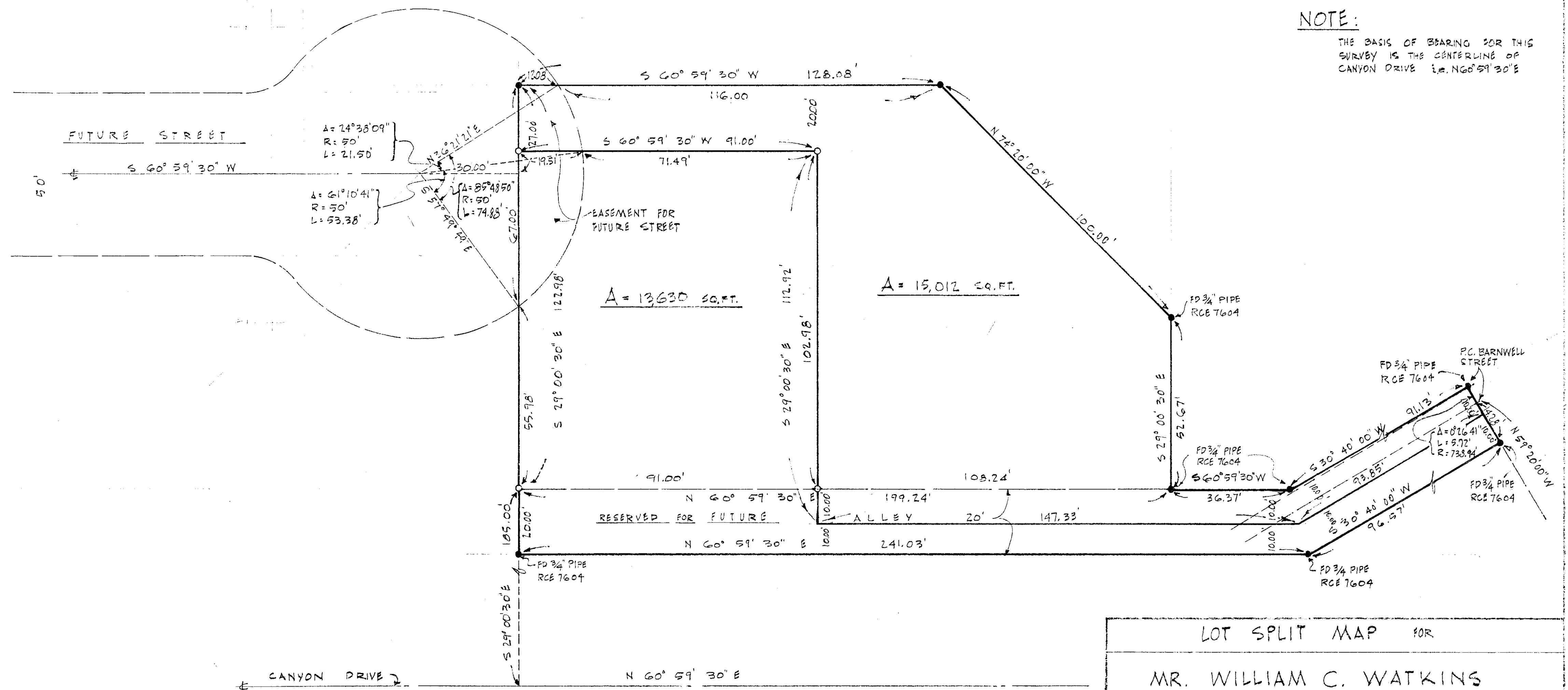
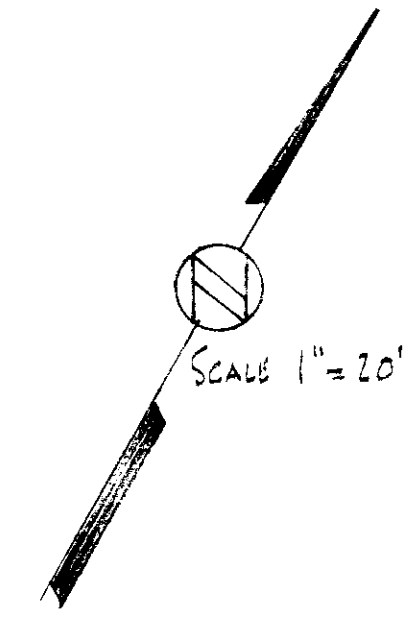
A PROPERTY SURVEY OF A PORTION OF THE SW 1/4 OF THE SW 1/4 OF SECTION 19 TWP 11 S. R 4 W.

LEGEND:

- INDICATES SET 3/4" IRON PIPE TAGGED RCE 7604
- INDICATES FOUND AS SHOWN

NOTE:

THE BASIS OF BEARING FOR THIS SURVEY IS THE CENTERLINE OF CANYON DRIVE i.e. N60°59'30"E



CANYON DRIVE

APPROVED BY THE
PLANNING COMMISSION
this 7th day of Nov. 1960
Resolution No. 60-P80
Secretary *Janet A. Taylor*

Alton J. Ruden 3-13-61
AL. RUDEN RCE 10163
CITY ENGINEER
OCEANSIDE, CALIFORNIA

LOT SPLIT MAP FOR		
MR. WILLIAM C. WATKINS		
DRAWN DSC	STETSON, STRAUSS & DRESSELHAUS, INC.	DATE 6 DEC 60
CHECKED	DONALD F. DRESSELHAUS RCE 7604	SCALE 1" = 20'
APPROVED	528 SO. HILL ST. SA 2-2126 OCEANSIDE CALIFORNIA	SHEET 1 OF 1

Watkins 25-269 15-A

SVR 2-1359