

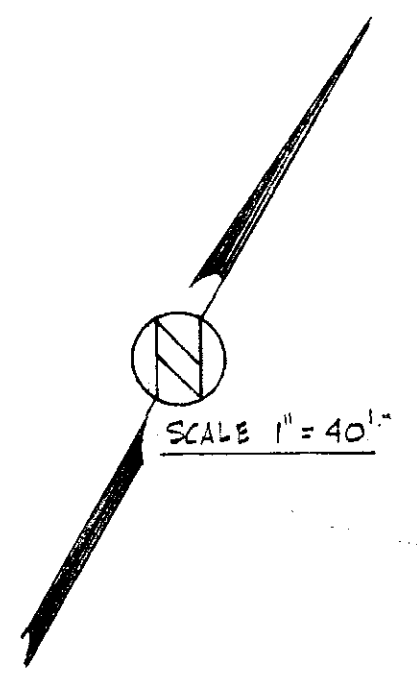
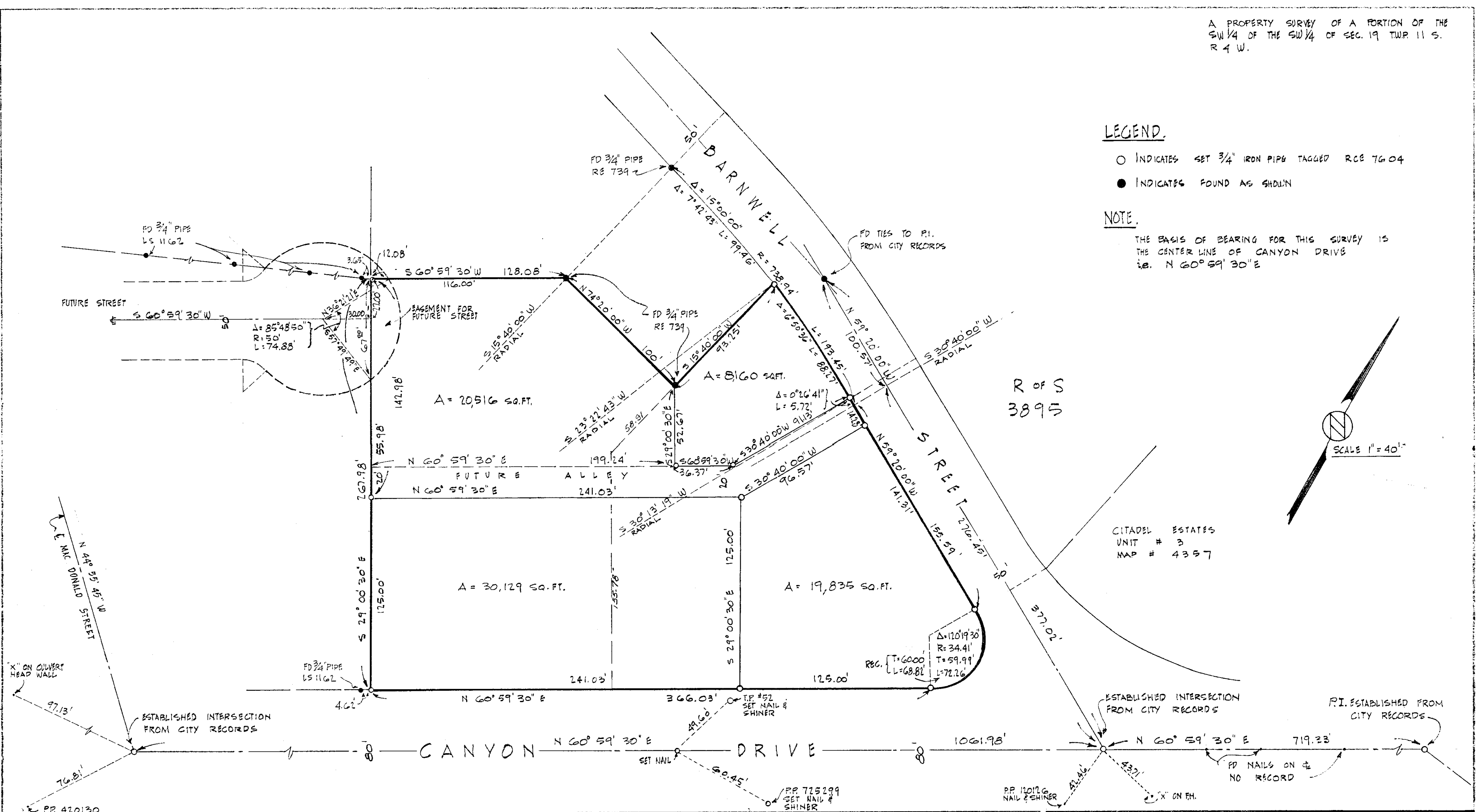
A PROPERTY SURVEY OF A PORTION OF THE SW 1/4 OF THE SW 1/4 OF SEC. 19 TWP. 11 S. R. 4 W.

**LEGEND.**

- INDICATES SET 3/4" IRON PIPE TAGGED RCE 7604
- INDICATES FOUND AS SHOWN

**NOTE.**

THE BASIS OF BEARING FOR THIS SURVEY IS THE CENTER LINE OF CANYON DRIVE i.e. N 60° 59' 30" E



CITADEL ESTATES  
UNIT # 3  
MAP # 4357

APPROVED BY THE  
PLANNING COMMISSION  
this 7<sup>th</sup> day of Nov. 1960  
Resolution No. 60-P-80

Secretary *Arnet A. Taylor*

*Alton E. Ruden*  
A.L. RUDEN RCE 10163  
CITY ENGINEER  
OCEANSIDE, CALIFORNIA 3-8-61

LOT SPLIT MAP FOR

MR. ELVIN C. PITTS

DRAWN. D. COLLINS	STETSON, STRAUSS & DRESSSELHAUS, INC. <i>Donald F. Dresselhaus</i> DONALD F. DRESSSELHAUS RCE 7604	DATE. 12 NOV 60
CHECKED. <i>WJM</i>	528 SO. HILL ST. OCEANSIDE, CALIFORNIA	SCALE. 1" = 40'
APPROVED <i>RJP</i>	SA 2-2126 CALIFORNIA	SHEET 1 of 1